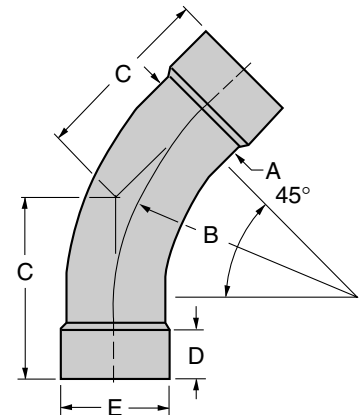


Morris Vacuum Products

Standard Radius 45° Elbows

Part No.	Size	A-o.d.	Gauge	B	C	D*	E-i.d.
MSR-2145	2 1/8"	2 1/8"	16	5"	4 1/16"	1 1/4"	2 1/8"
MSR-2545	2 1/2"	2 1/2"	16	6"	4 1/2"	1 1/4"	2 1/2"
MSR-3045	3"	3"	16	7 1/2"	5 1/8"	1 1/4"	3"
MSR-3545	3 1/2"	3 1/2"	16	8 3/4"	5 5/8"	1 1/4"	3 1/2"
MSR-4045	4"	4"	16	10"	6 1/8"	1 1/4"	4"
MSR-5045	5"	5"	14	12 1/2"	7 13/16"	1 1/2"	5"
MSR-6045	6"	6"	14	15"	9 15/32"	1 1/2"	6"
MSR-8045	8"	8"	14	20"	12 17/32"	—	—
MSR-9045	10"	10"	†	32"	18 1/2"	—	—
MSR-9245	12"	12"	†	36"*	21 5/32"	—	—



WHEN ORDERING, SPECIFY TYPE OF MATERIAL:

Carbon Steel, Zinc Galv. Coated Steel, Stainless Steel, Aluminum

Bell or Straight Ends – 2 1/8" through 6". Straight ends only – 8" and up.

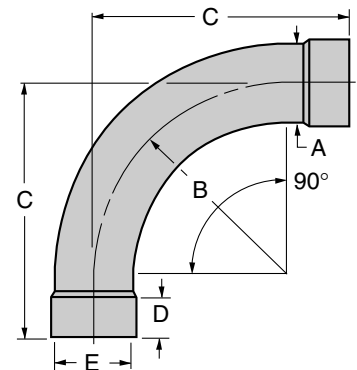
* Segmented (3-piece miter)

† Consult factory

D* = expanded length

Standard Radius 90° Elbows

Part No.	Size	A-o.d.	Gauge	B	C	D*	E-i.d.
MSR-2190	2 1/8"	2 1/8"	16	5"	7"	1 1/4"	2 1/8"
MSR-2590	2 1/2"	2 1/2"	16	6"	8"	1 1/4"	2 1/2"
MSR-3090	3"	3"	16	7 1/2"	9 1/2"	1 1/4"	3"
MSR-3590	3 1/2"	3 1/2"	16	8 3/4"	10 3/4"	1 1/4"	3 1/2"
MSR-4090	4"	4"	16	10"	12"	1 1/4"	4"
MSR-5090	5"	5"	14	12 1/2"	15 1/8"	1 1/2"	5"
MSR-6090	6"	6"	14	15"	18 1/4"	1 1/2"	6"
MSR-8090	8"	8"	14	20"	24 1/4"	—	—
MSR-9090	10"	10"	†	32"	37 1/4"	—	—
MSR-9290	12"	12"	†	36"*	42 1/4"	—	—



WHEN ORDERING, SPECIFY TYPE OF MATERIAL:

Carbon Steel, Zinc Galv. Coated Steel, Stainless Steel, Aluminum

Bell or Straight Ends – 2 1/8" through 6". Straight ends only – 8" and up.

* Segmented (3-piece miter)

† Consult factory

D* = expanded length

For Prices and Delivery

Call Toll Free: 1-800-426-1579

Toll-Free Fax: 1-800-545-1399

E-mail: sales@morriscoupling.com

internet: www.morriscoupling.com

All dimensions are nominal.



2240 W. 15th St., Erie, PA 16505
Phone: 814-459-1741